



EQUINOX USER MANUAL





SAFETY AND USAGE GUIDELINES

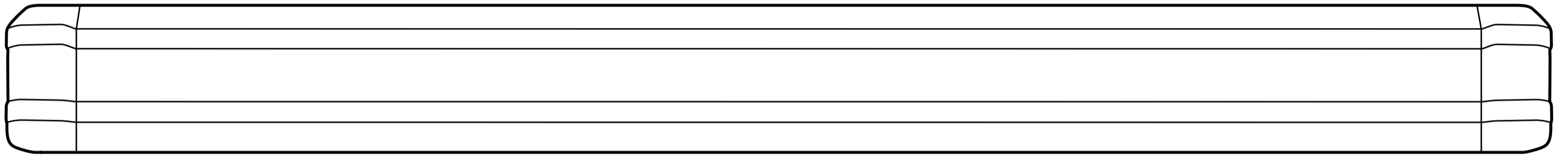
- Check all components before installation and follow the instructions carefully. Contact Go Overland support if needed.
- Handle with care—the tent is heavy. Wear safety gloves and protective shoes, and don't install alone if you have health concerns.
- Verify roof rack compatibility before mounting, as not all racks can support a rooftop tent.
- Understand the mounting process beforehand.
- Ensure the tent is securely mounted before driving, and always check that the hardshell is fully closed and latched.
- Do not exceed 70 mph (110 km/h), and adjust your speed based on road, weather, and driving conditions.
- Avoid using the tent in extreme weather (heavy rain, snow, or strong winds) to prevent damage.
- Drive cautiously on rough roads and speed bumps, especially if your roof rack is weak, as it may break under stress.
- Watch out for low-clearance areas, and never drive with the tent deployed.
- Avoid excessive force during installation to prevent damage.
- Do not use a damaged tent—contact Go Overland After Service if you suspect any issues.
- Inspect the ladder locks before use, as the ladder acts as a support. An unstable or faulty ladder may cause injury or product damage.
- Set up on firm, flat ground and avoid slippery, unstable, or angled surfaces like rocks, sand, mud, or gravel.
- Never leave children unattended in the tent.
- Be cautious when climbing the ladder, as steps may become slippery due to rain, mud, or ice.
- Do not use flammable items inside the tent and keep it away from campfires or fire pits—embers can damage the fabric and pose a fire risk.
- Poly-cotton fabric absorbs moisture naturally after rain exposure—this is not a defect.
- Do not use the tent in strong winds over 25 mph or 40 km/h (10 m/s, 20 knots) or in extreme weather conditions like hurricanes, storms, or heavy snow.



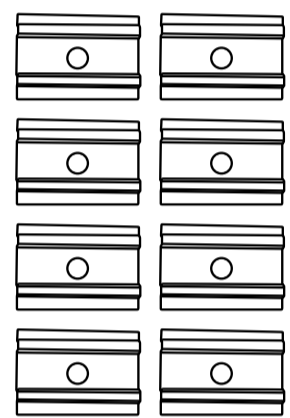
MAINTENANCE

- Keep the tent completely dry before storing to prevent mold, odor, and discoloration.
- Clean off contaminants and foreign substances to prevent fabric and structural damage.
- Protect the hardshell from prolonged exposure to outdoor elements, as dust, rain, and mineral deposits can wear down its surface.
- Do not allow rain or melting snow to sit on the hardshell, as stagnant moisture can cause damage over time.

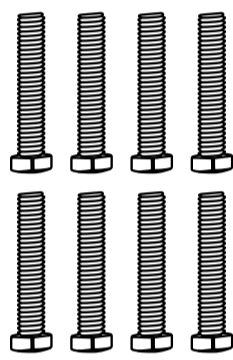
WHAT'S IN THE BOX



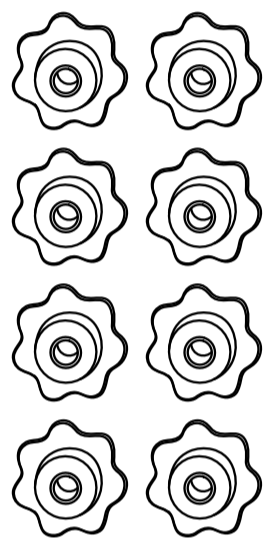
1 Rooftop Tent



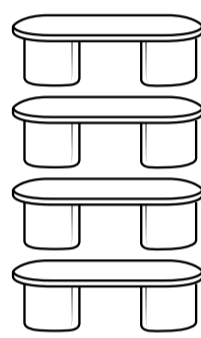
8 metal plates



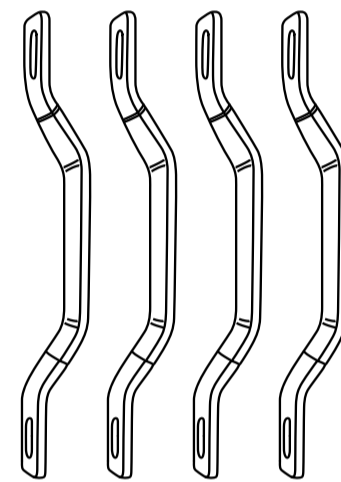
8 M8 bolts



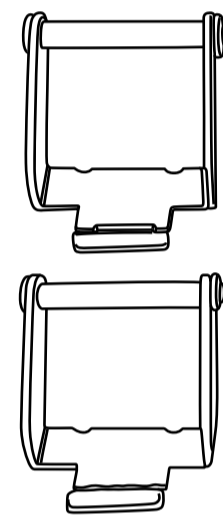
8 knobs



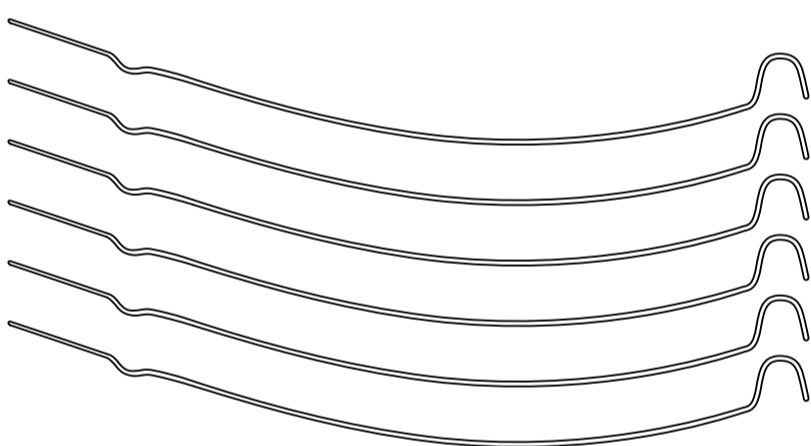
4 end caps



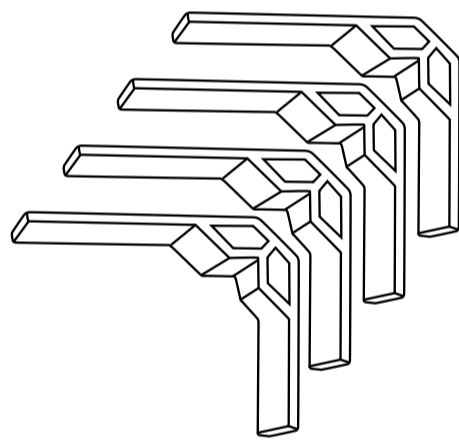
4 brackets



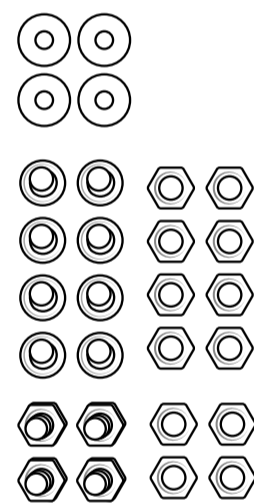
2 ladder hooks



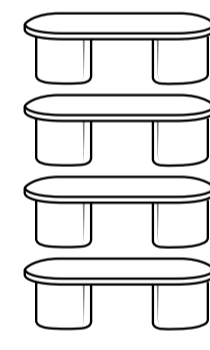
6 tension poles



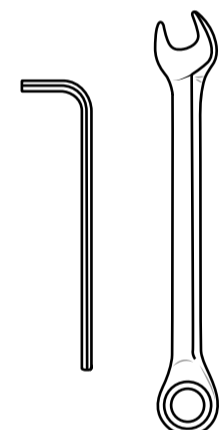
4 crossbar brackets



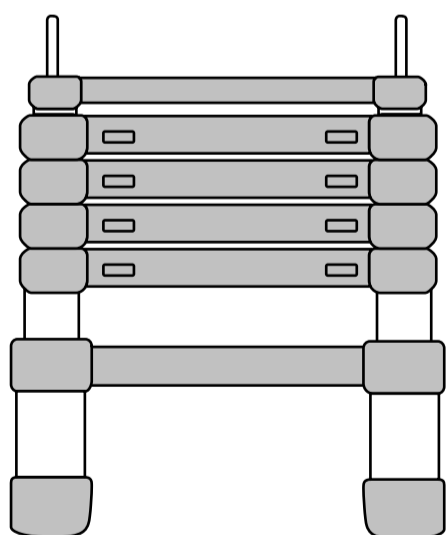
12 bolts
12 nuts
4 washers



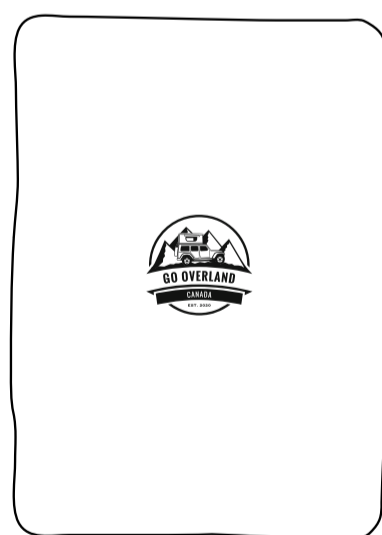
4 crossbar end caps



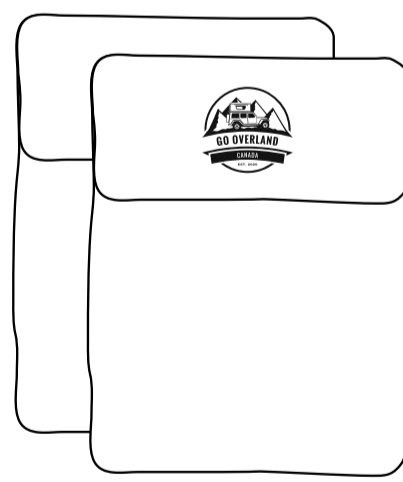
1 set of tools



1 ladder



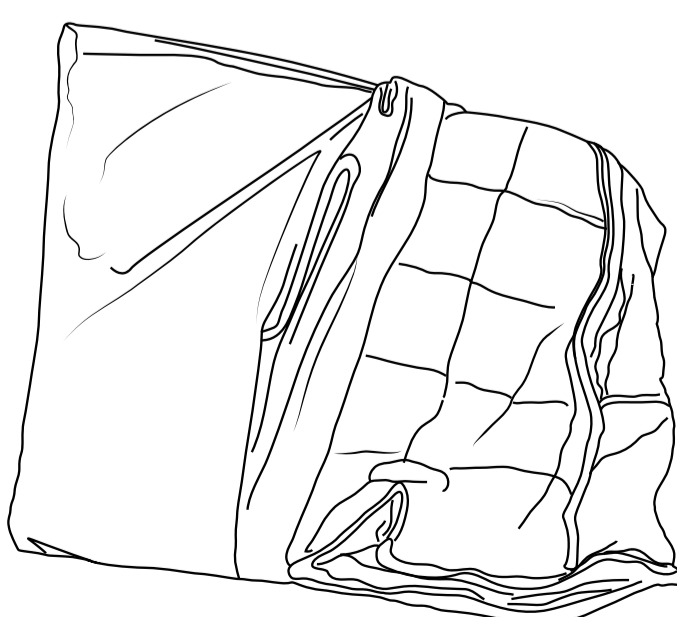
1 ladder cover



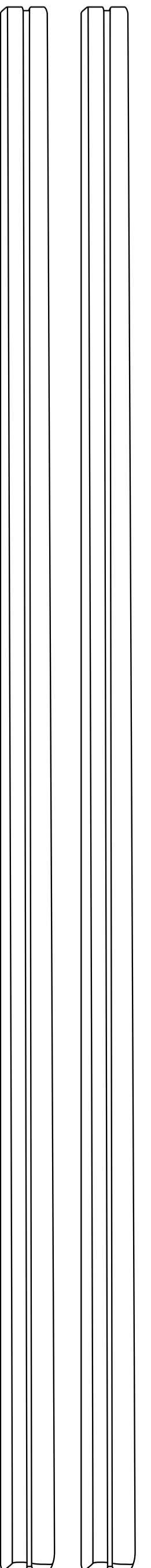
2 shoe bags



2 side vinyl windows




1 insulation

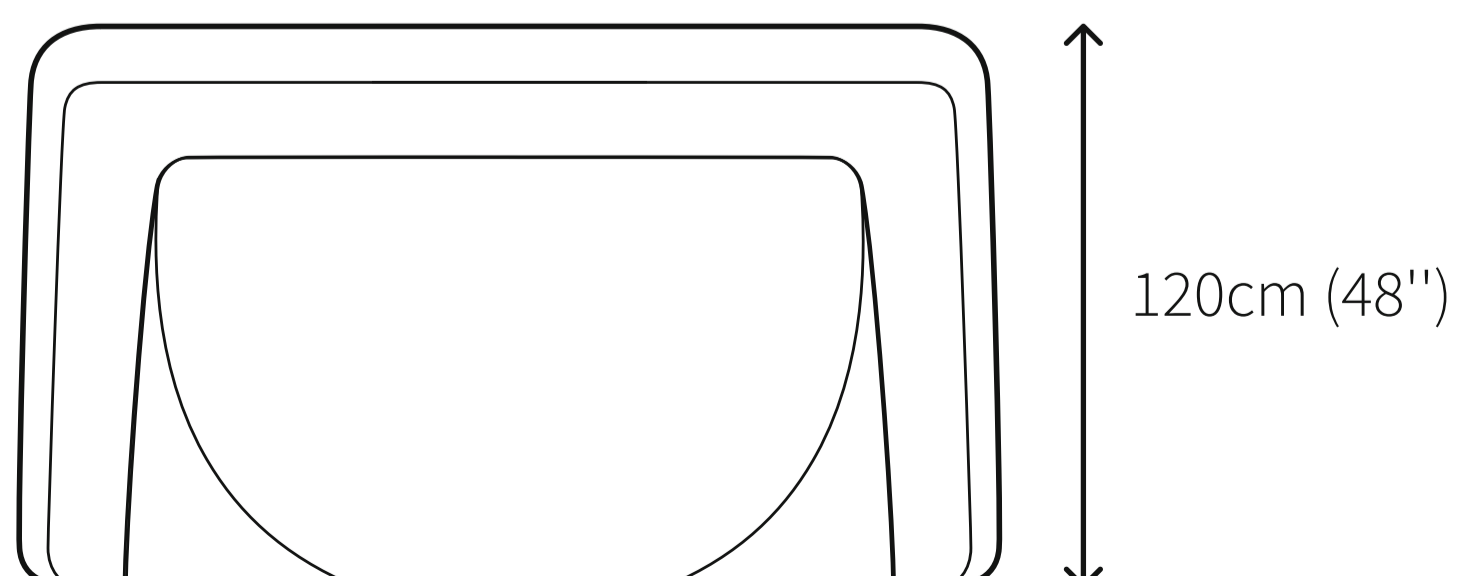
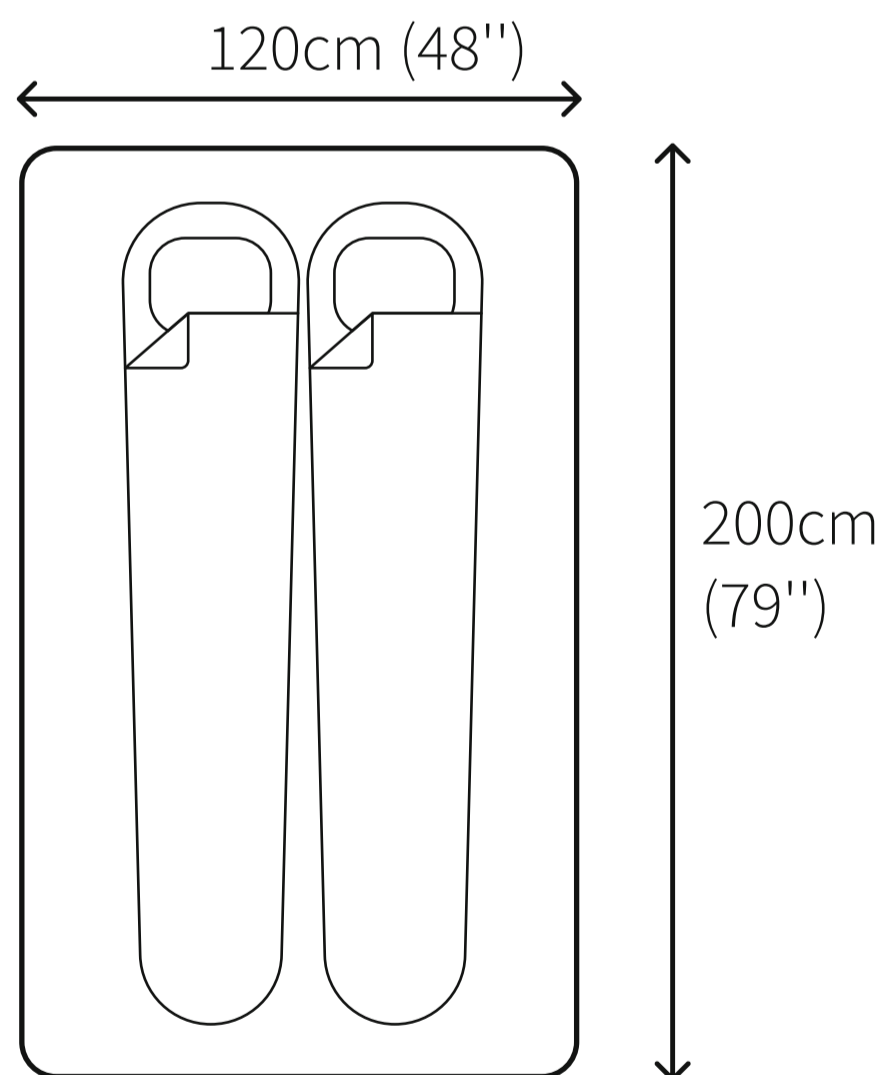
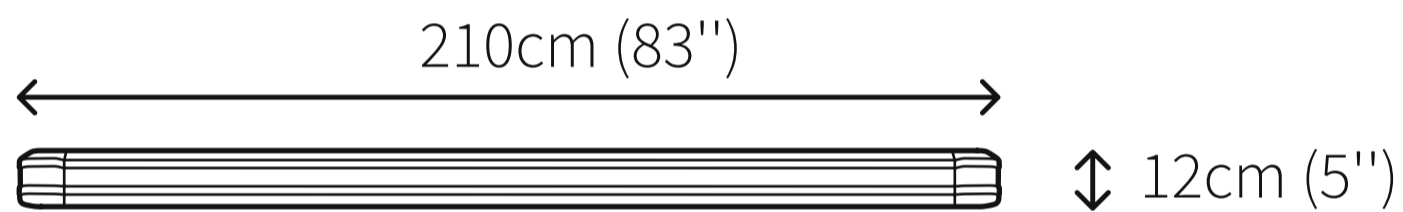
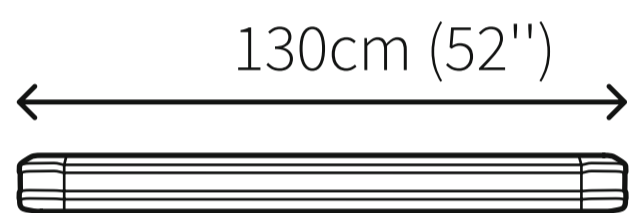


2 crossbars

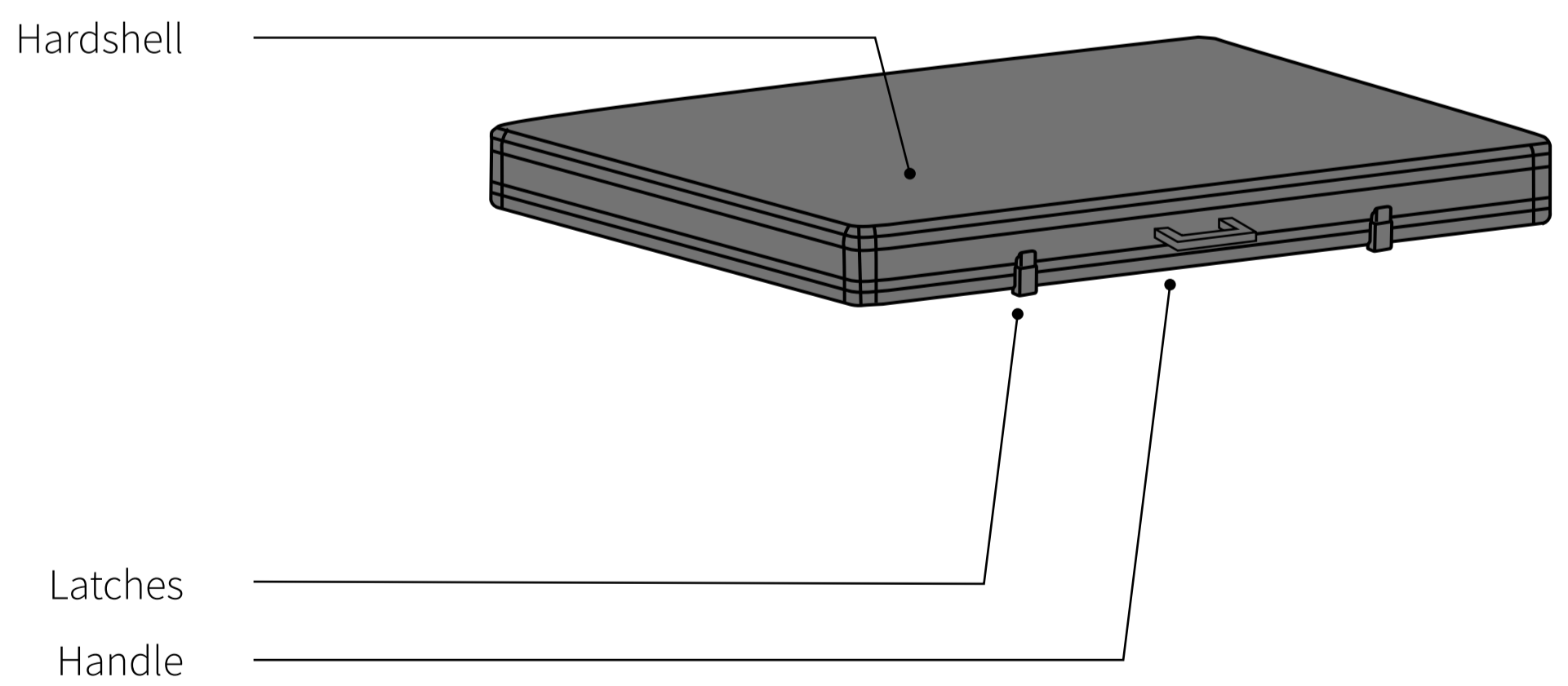
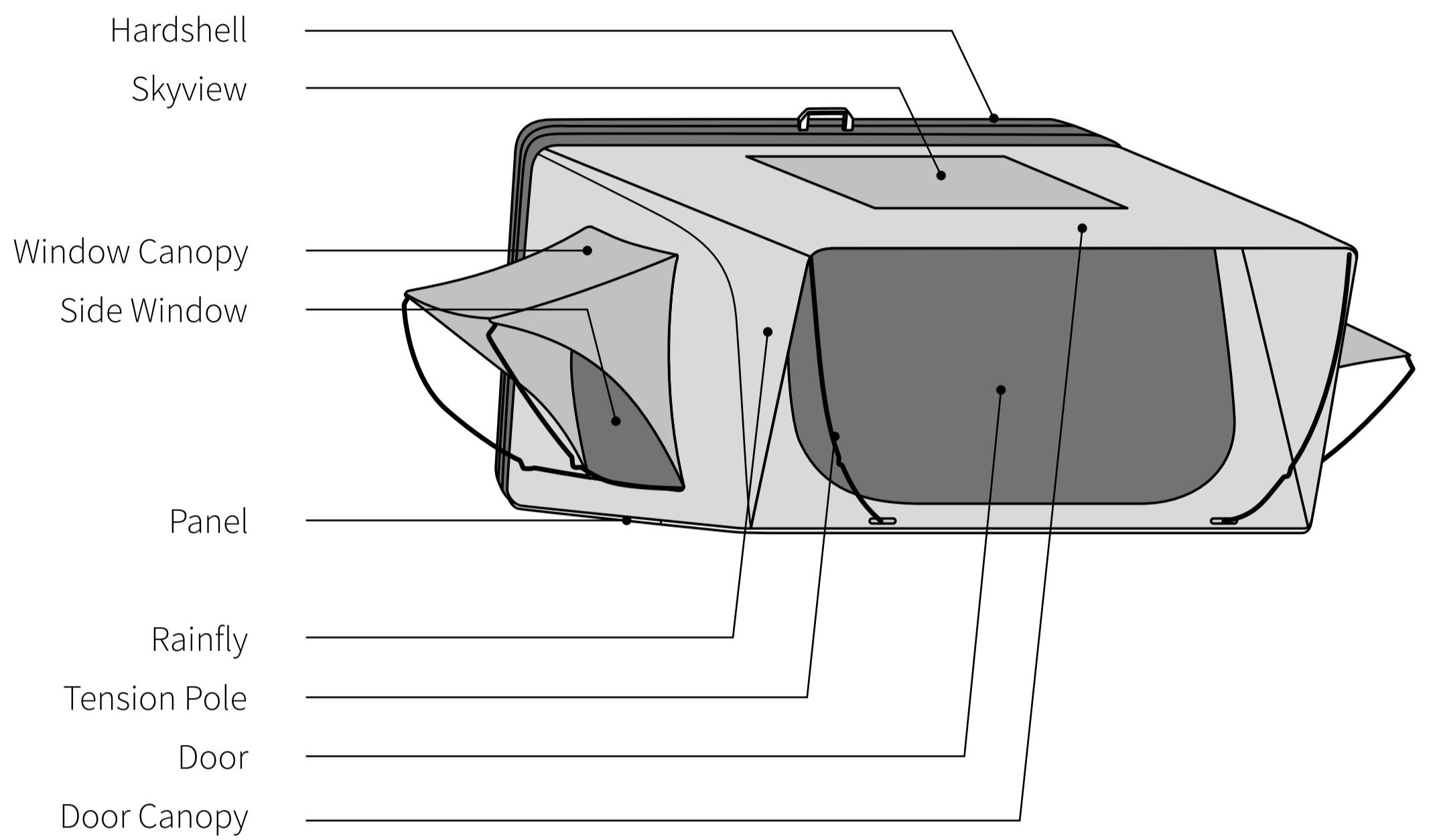
TECHNICAL SPECS

- Weight: 53 kg (116 lbs)
- Closed Dimensions: 210 x 130 x 12 cm (83" x 52" x 5")
- Mattress: 200 x 120 x 5 cm (79" x 48" x 2")
- Capacity: 363 kg (800 lbs)

 53kg (116 lbs)



OVERVIEW





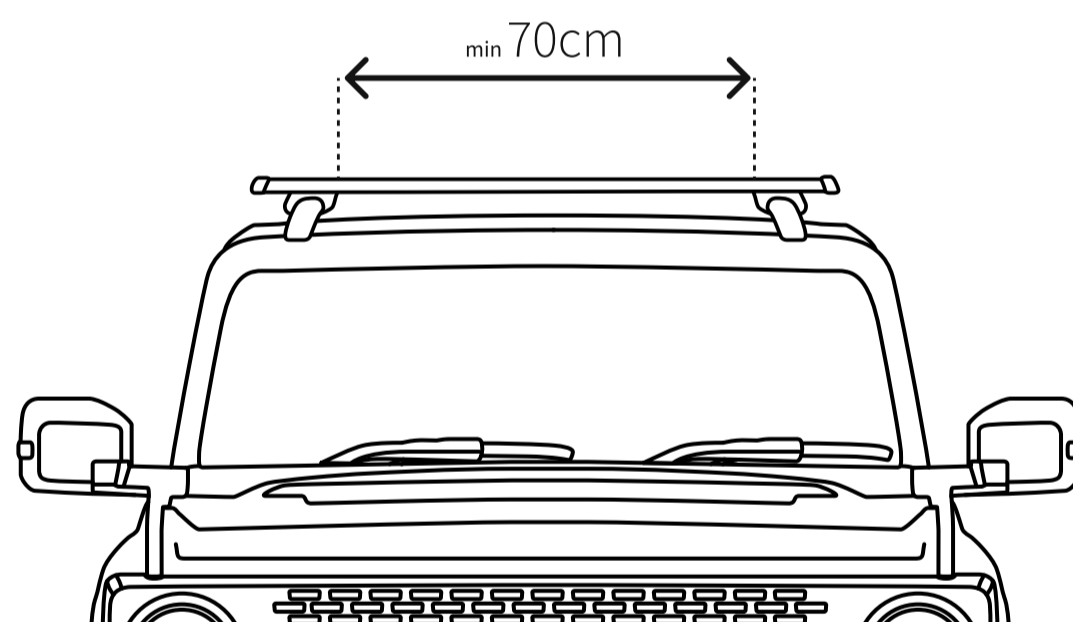
EQUINOX
USER MANUAL

**MOUNTING
YOUR TENT**

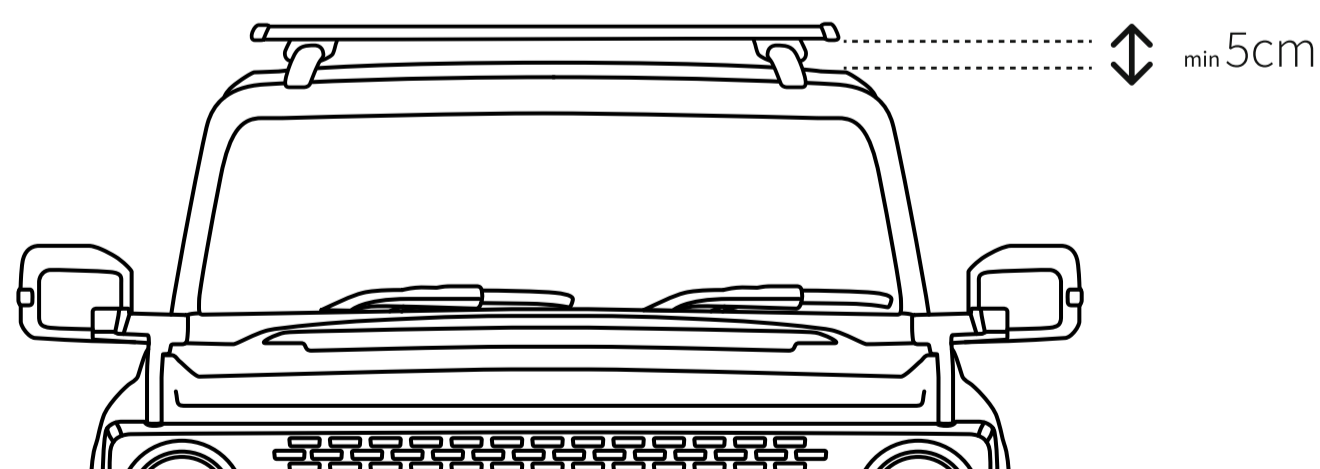
CHECKLIST BEFORE MOUNTING

1. Crossbars or roof racks are mandatory for installing a rooftop tent and are not included.
2. Longitudinal bars (factory-installed) are not required, but if present, ensure they are functional, not decorative.
3. Ensure your crossbars are approved for a load greater than the tent's weight:
 - a. Expedition S: 70 kg (154 lbs)
4. The usable width of your crossbars must be at least 70 cm (27.5 inches).
5. The gap between the vehicle roof and the top of the crossbar must be at least 5 cm (2 inches).
6. The crossbar tube width must be less than 11 cm (4.3 inches).
7. If your vehicle has a panoramic or sunroof, mount bars on the metal body, not on glass surfaces.

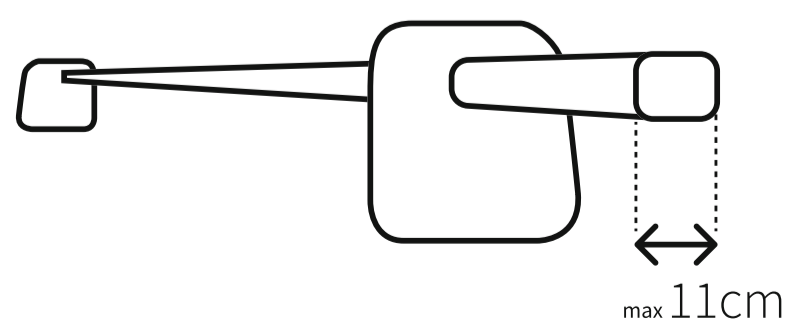
4



5

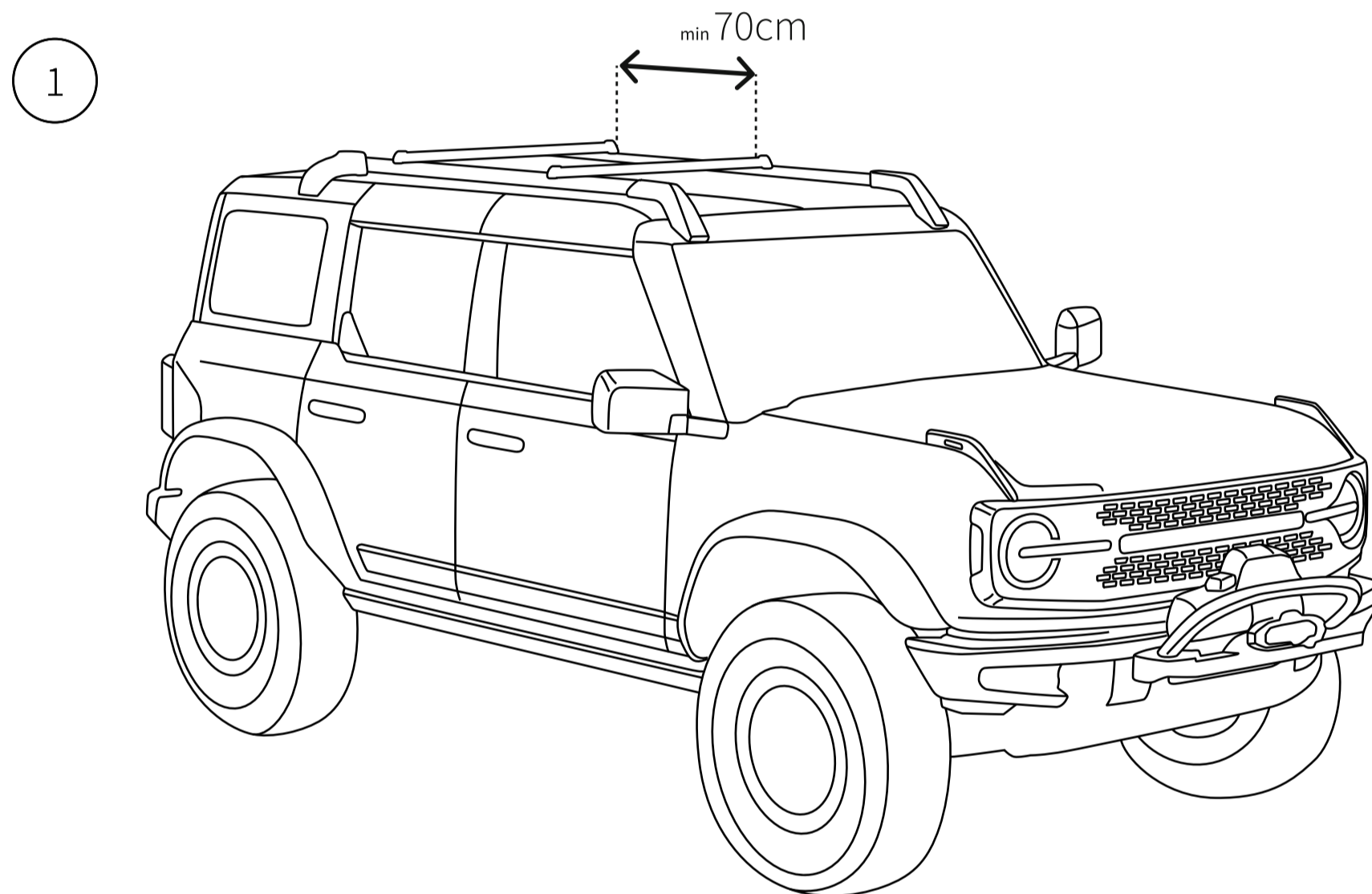


6



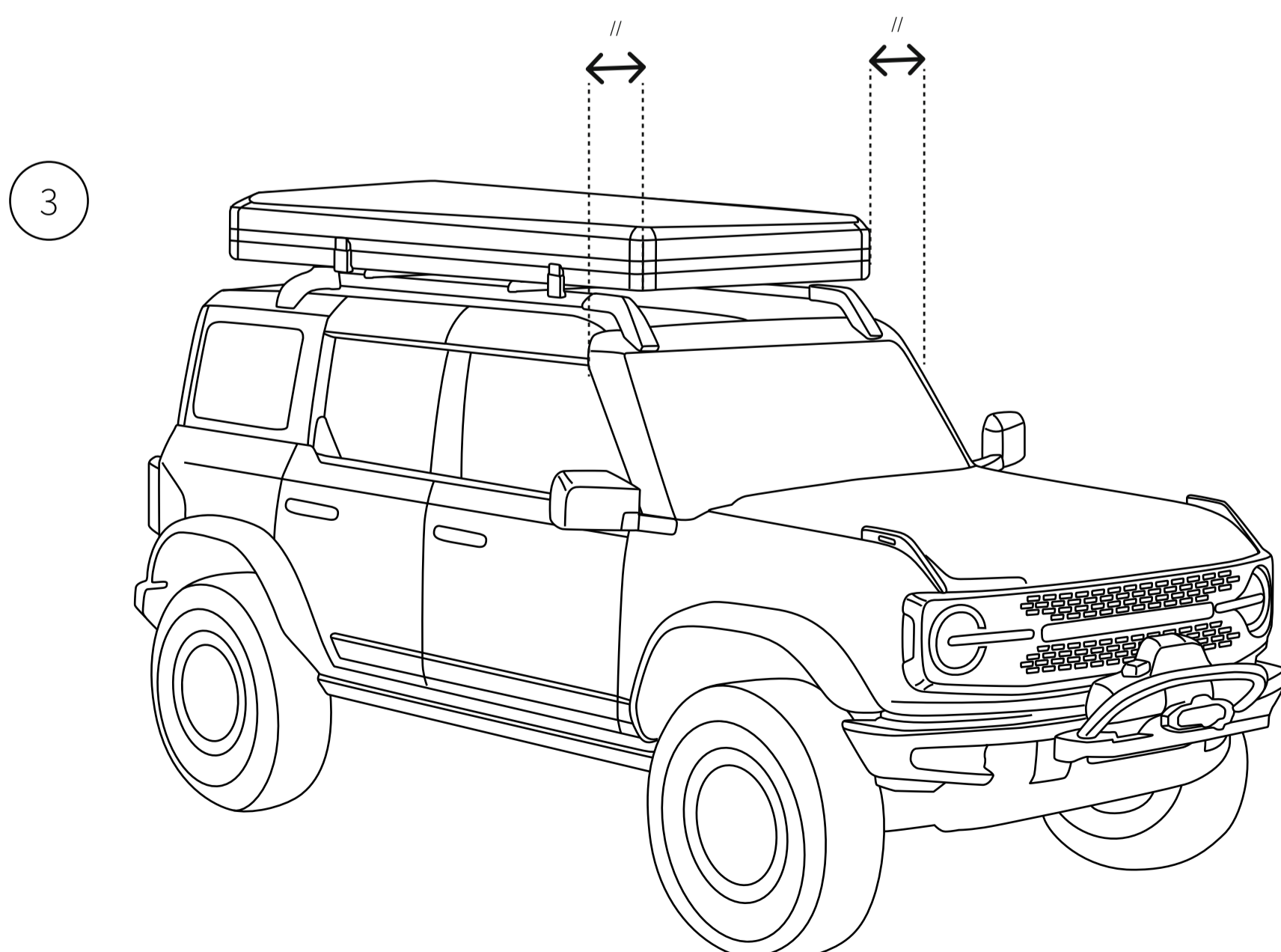
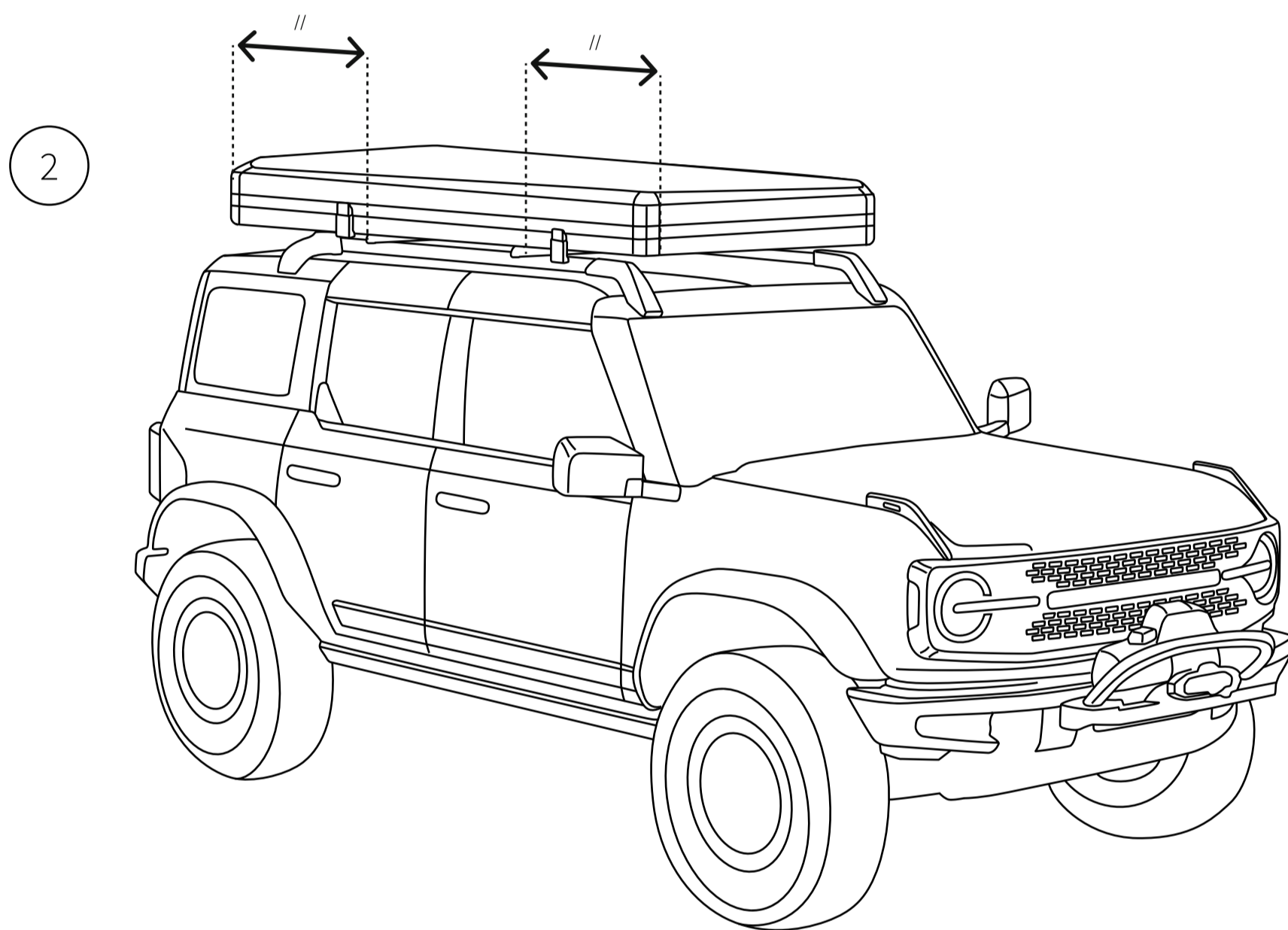
CROSSBAR ADJUSTMENT (NOT INCLUDED)

1. Before installing your tent, position your roof bars and ensure there is a minimum distance of 70 cm (27.5 inches) between them.
2. Make sure to securely fasten your roof bars according to the manufacturer's instructions.



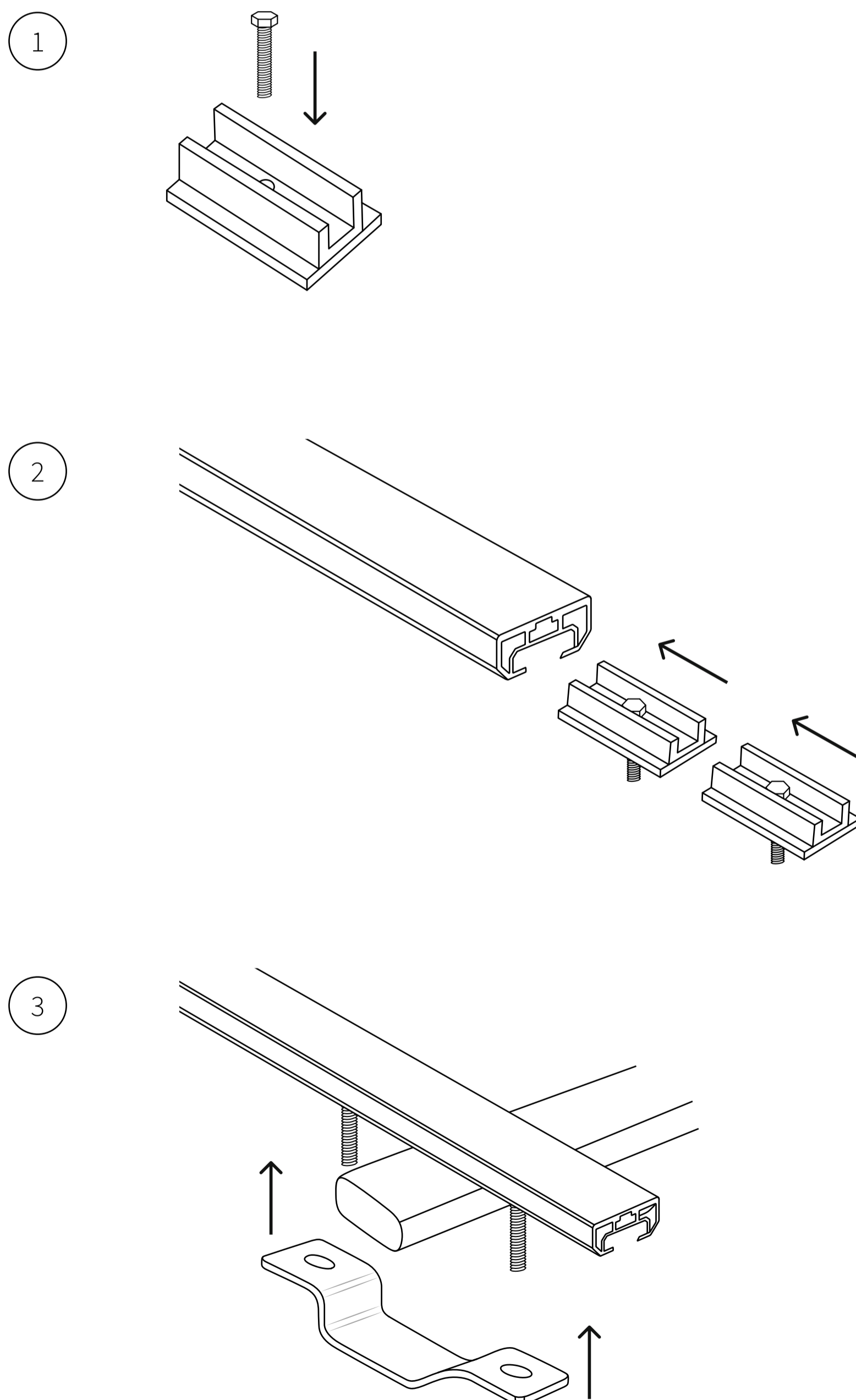
LIFTING UP THE TENT

1. Lift the hardshell vertically at a minimum of four points. If you don't have specialized equipment like a lift, have multiple adults assist.
2. Position the hardshell so that its front and back edges are evenly spaced from your crossbars longitudinally.
3. Ensure the tent is centered transversely.



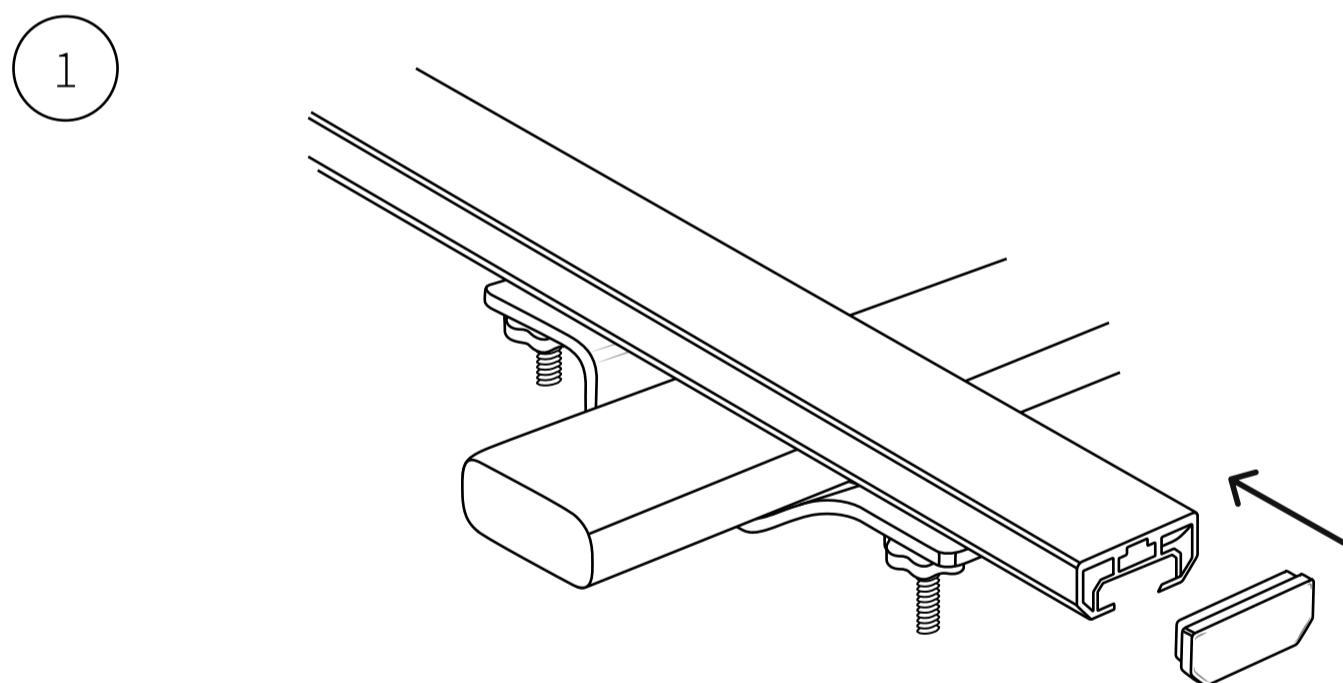
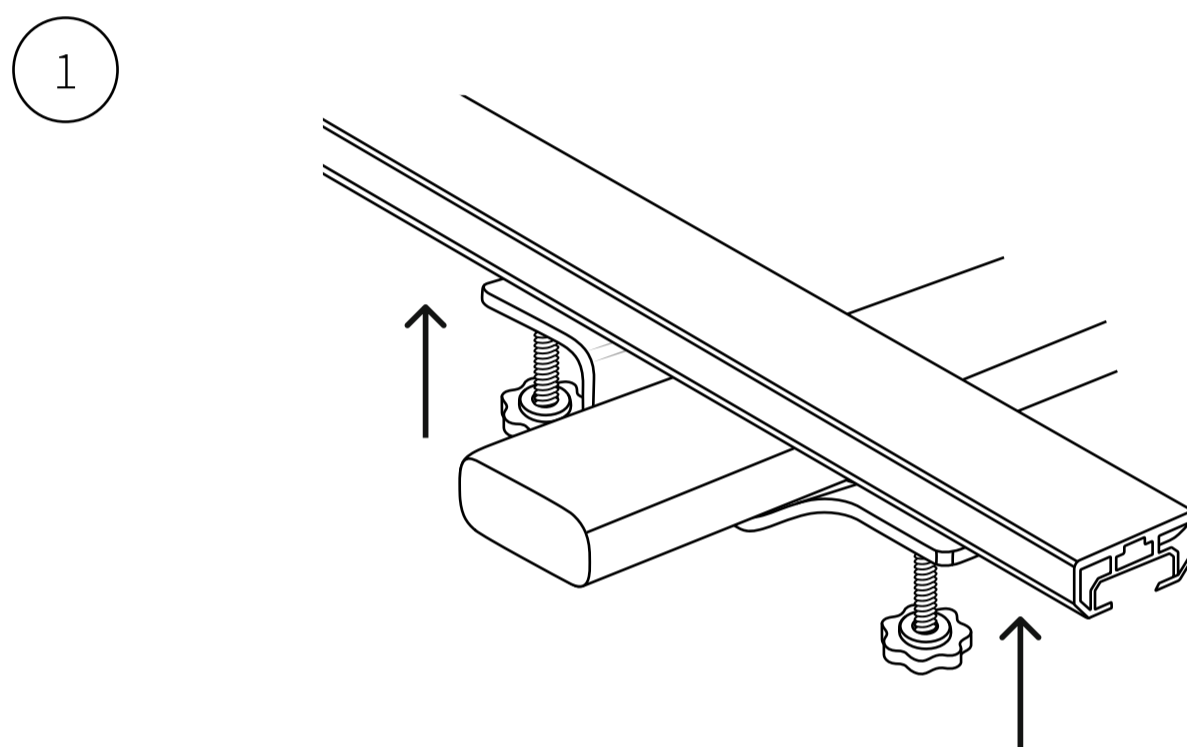
INSTALLING THE MOUNTING BRACKETS

1. Insert the M8 bolts into their corresponding metal plates
2. On each side of the two aluminum profiles under the tent, slide two M8 bolts with their plates.
3. Once the bolts are in place, take the mounting bracket and slide it onto both bolts. Make sure it is properly centered in relation to the roof bar.



INSTALLING THE MOUNTING BRACKETS

4. Then, take the knobs and screw them on each side. Tighten them firmly but without excessive force—you should still be able to unscrew them by hand.
5. Plug a cap into the end of each aluminum profile.



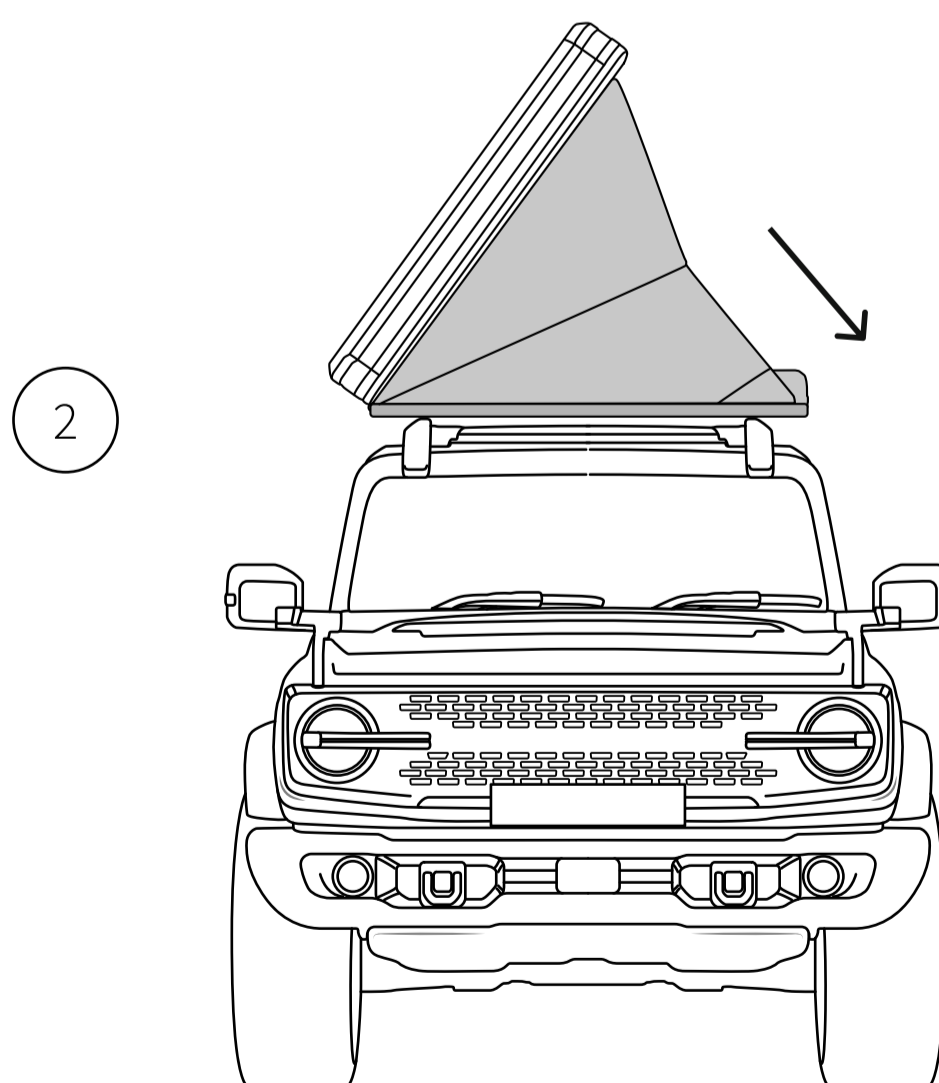
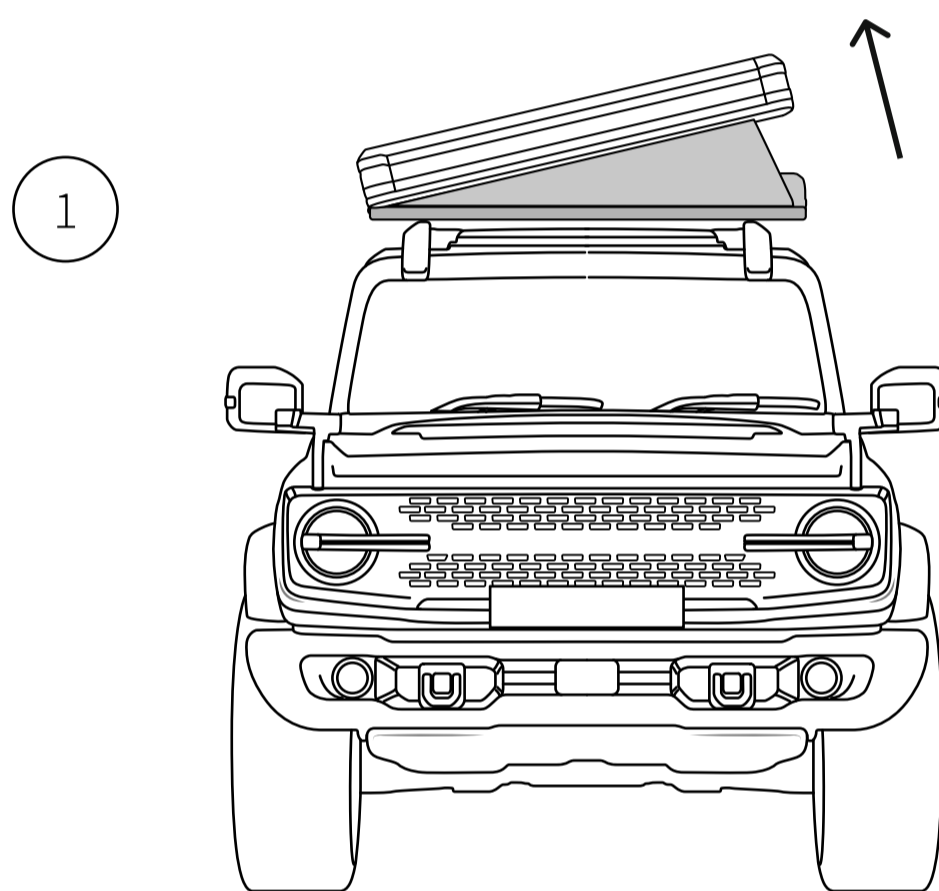


EQUINOX
USER MANUAL

**USING YOUR
TENT**

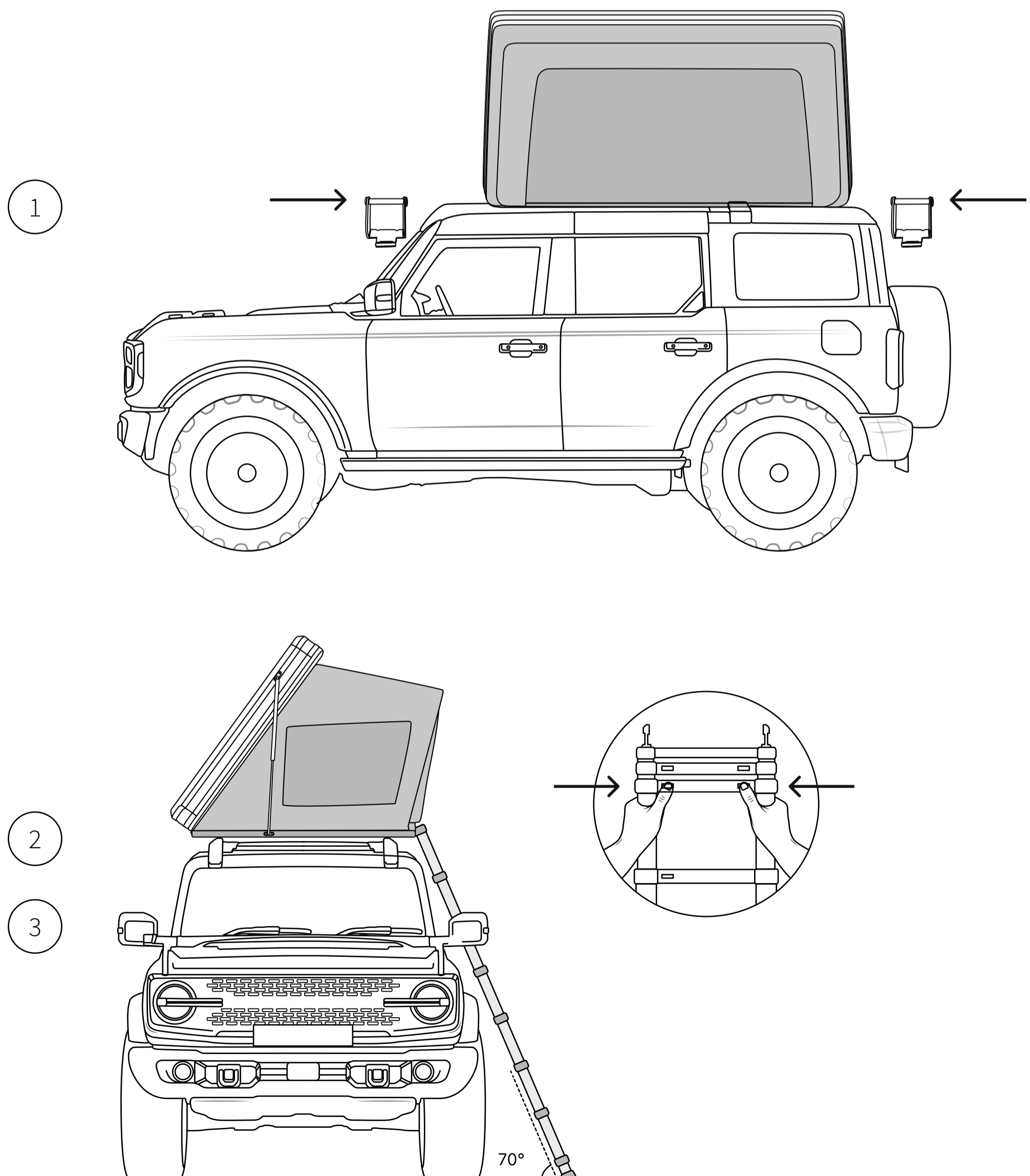
OPENING THE HARDSHELL

1. Unlock the two hardshell latches at the front of the tent.
2. Push the hardshell up — the gas struts will allow it to open automatically.
3. Pull the elastic band attached to the tent and secure it into the two slots at the corners.



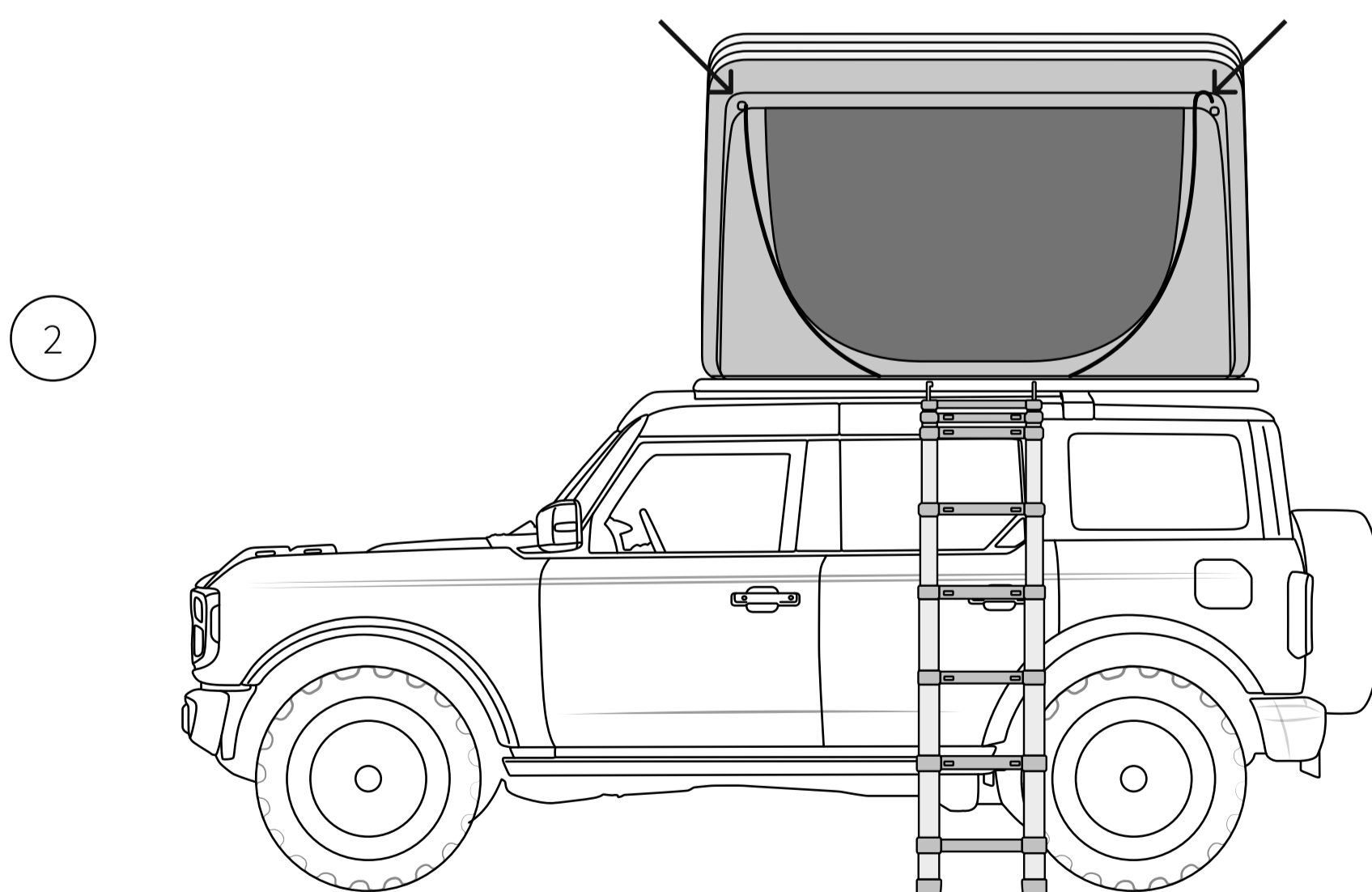
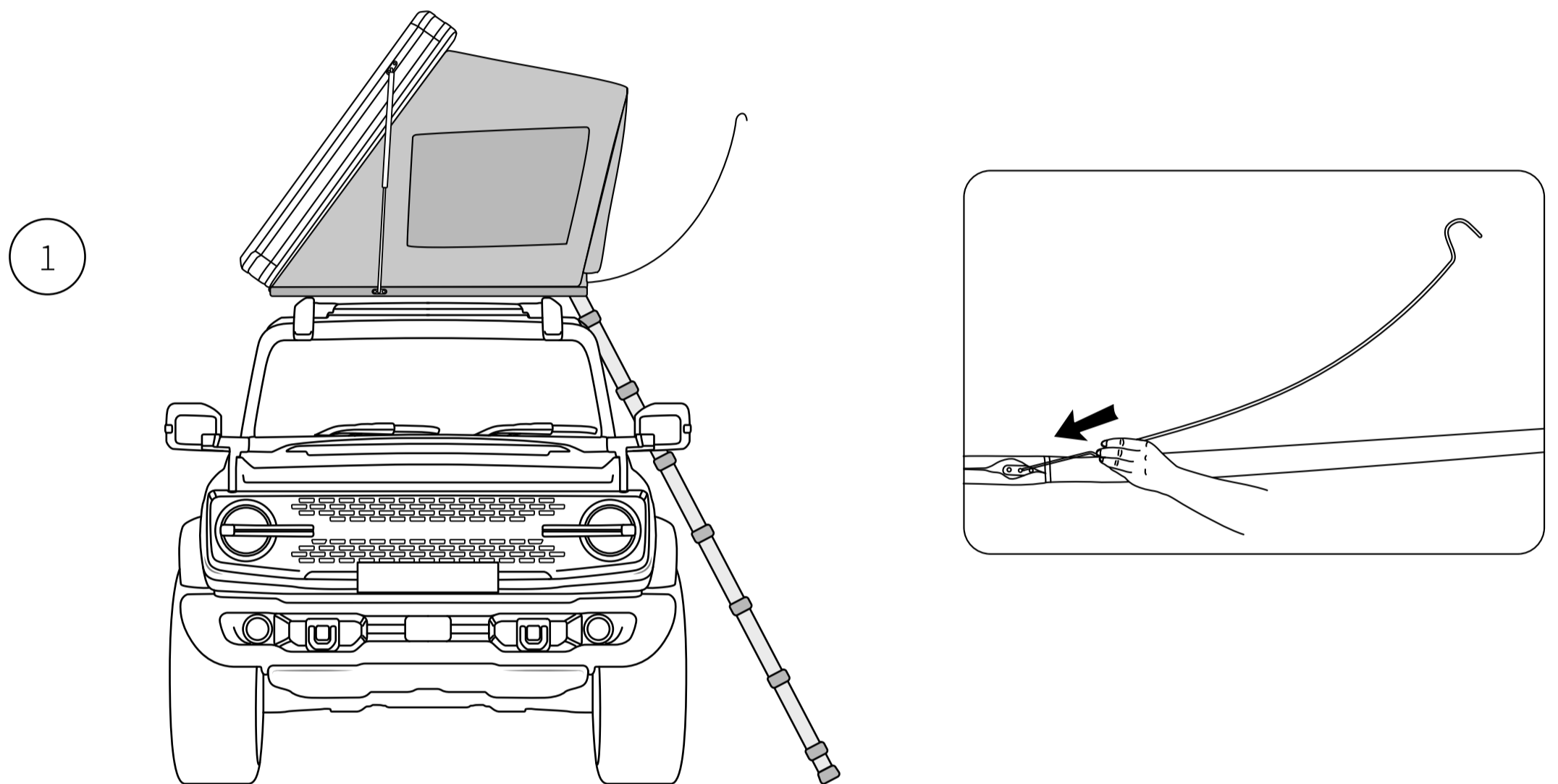
INSTALLING THE LADDER

1. Slide the two ladder hooks into the designated channel at the front of the tent. Position them near the tent opening, spaced approximately 40 cm apart.
2. Hook the ladder to the hooks and position it about 70 degrees to the floor.
3. Adjust the ladder based on your vehicle's height and the ground level where you're parked.
 - a. To do so, press the slide buttons on both sides of the rungs with both hands.
 - b. Release the first rung, and if necessary, additional rungs depending on the required height adjustment.
 - c. Pinch the top rungs together (the exact number will vary) and wedge them under the tent until the extension panel is securely supported and does not move.
4. When adjusting the ladder height, ensure it is securely fastened with a click before use.



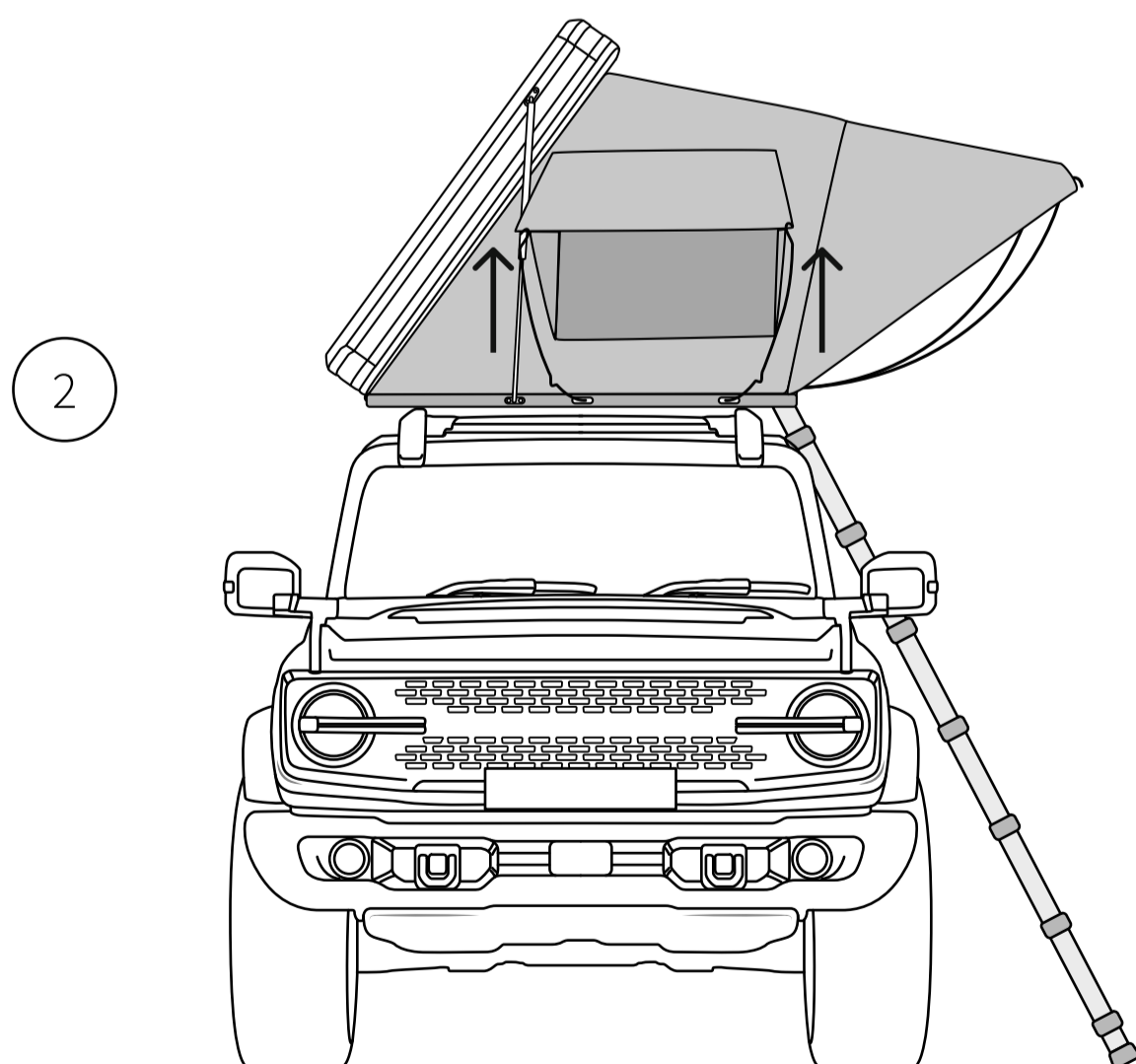
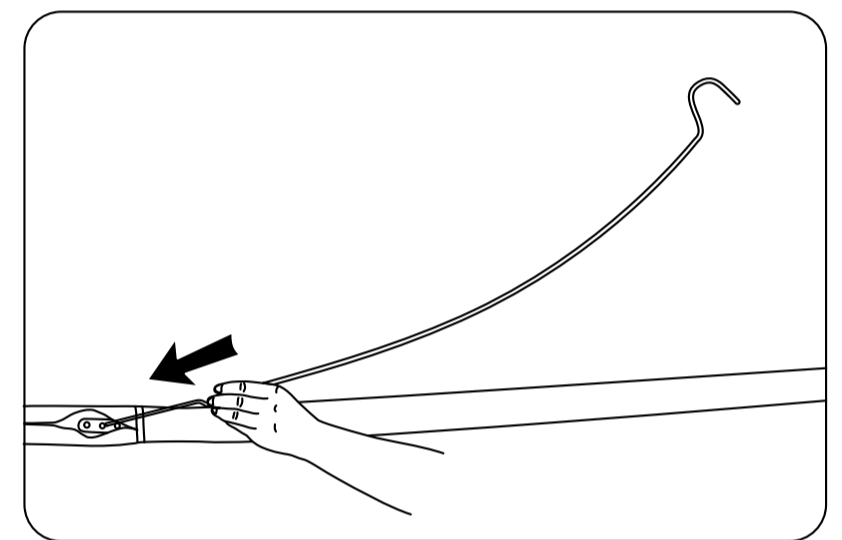
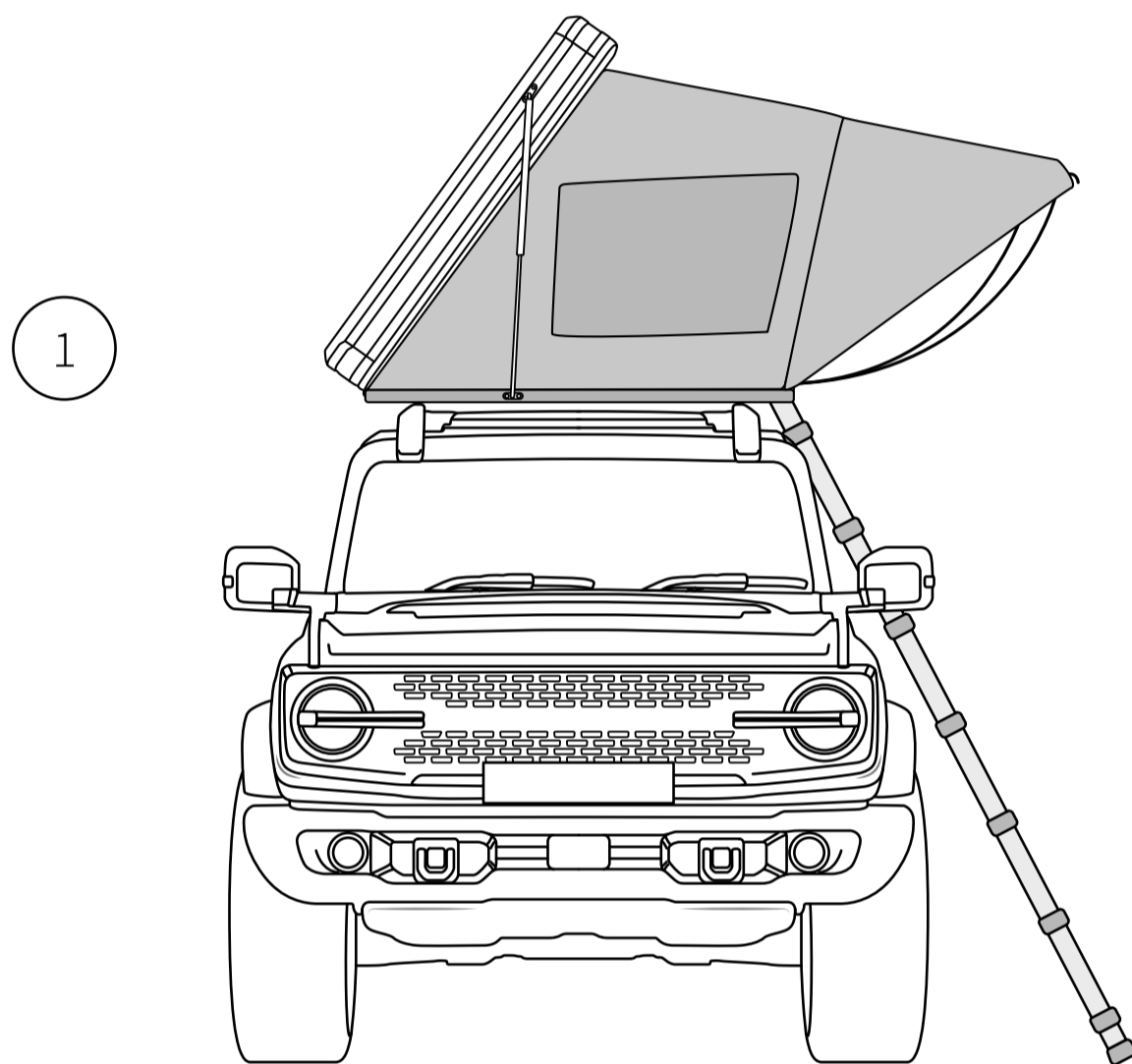
SETTING UP THE DOOR CANOPY

1. Insert the canopy poles at an angle, not straight.
2. Push the pole into the pocket until it reaches the bump stop.
3. Insert the top of the pole into the sleeve on the inside of the canopy.



SETTING UP THE SIDE WINDOWS CANOPY

1. Insert the canopy poles at an angle, not straight on the side of the tent.
2. Push the pole into the pocket until it reaches the bump stop.
3. Insert the top of the pole into the sleeve on the inside of the canopy.



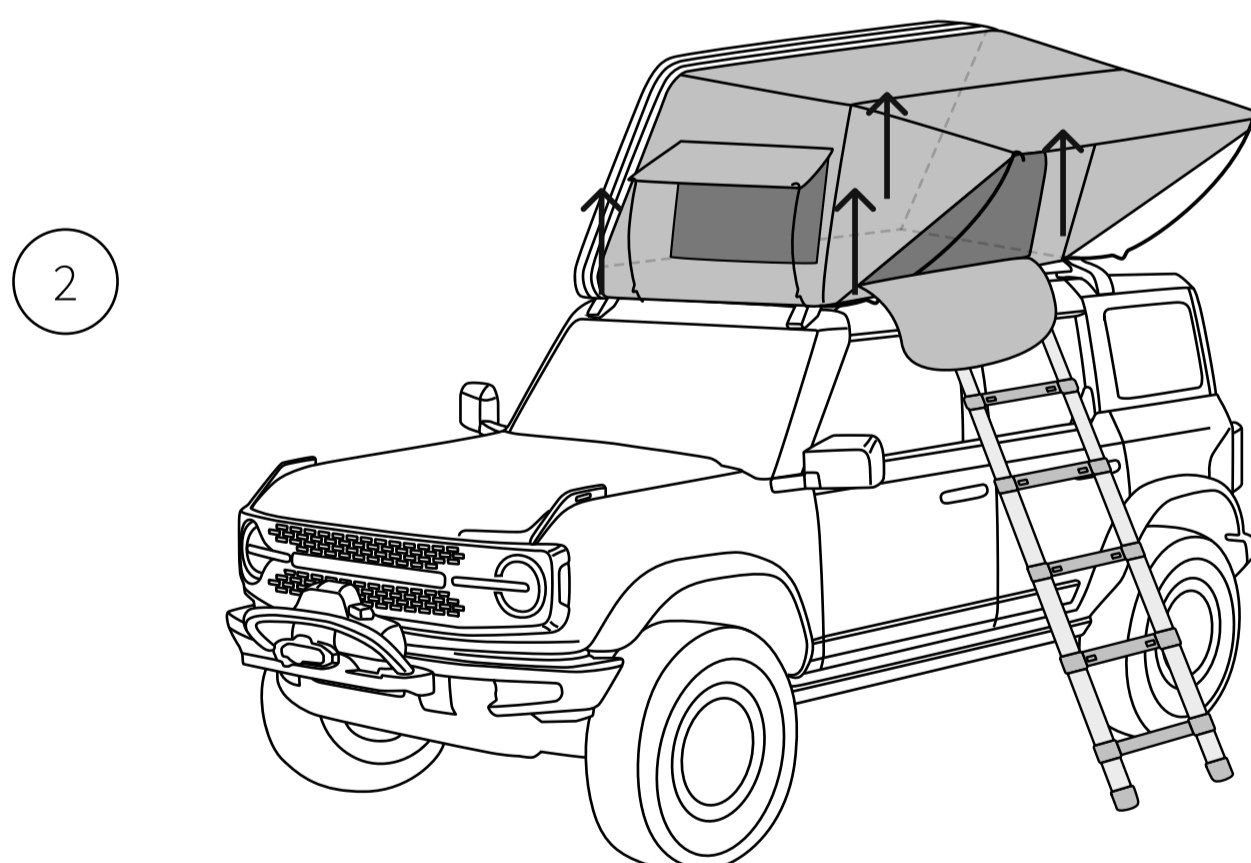
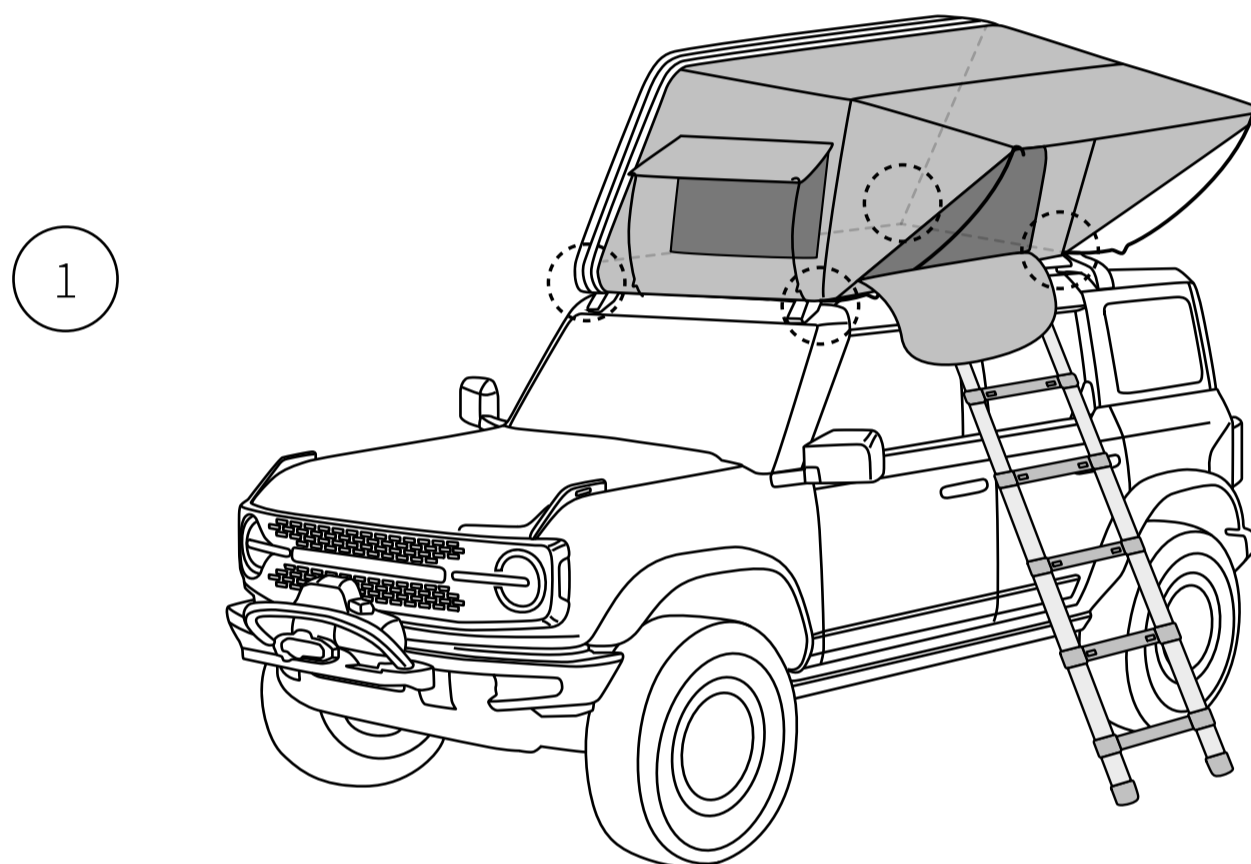


EQUINOX
USER MANUAL

**MOUTING
ACCESSORIES**

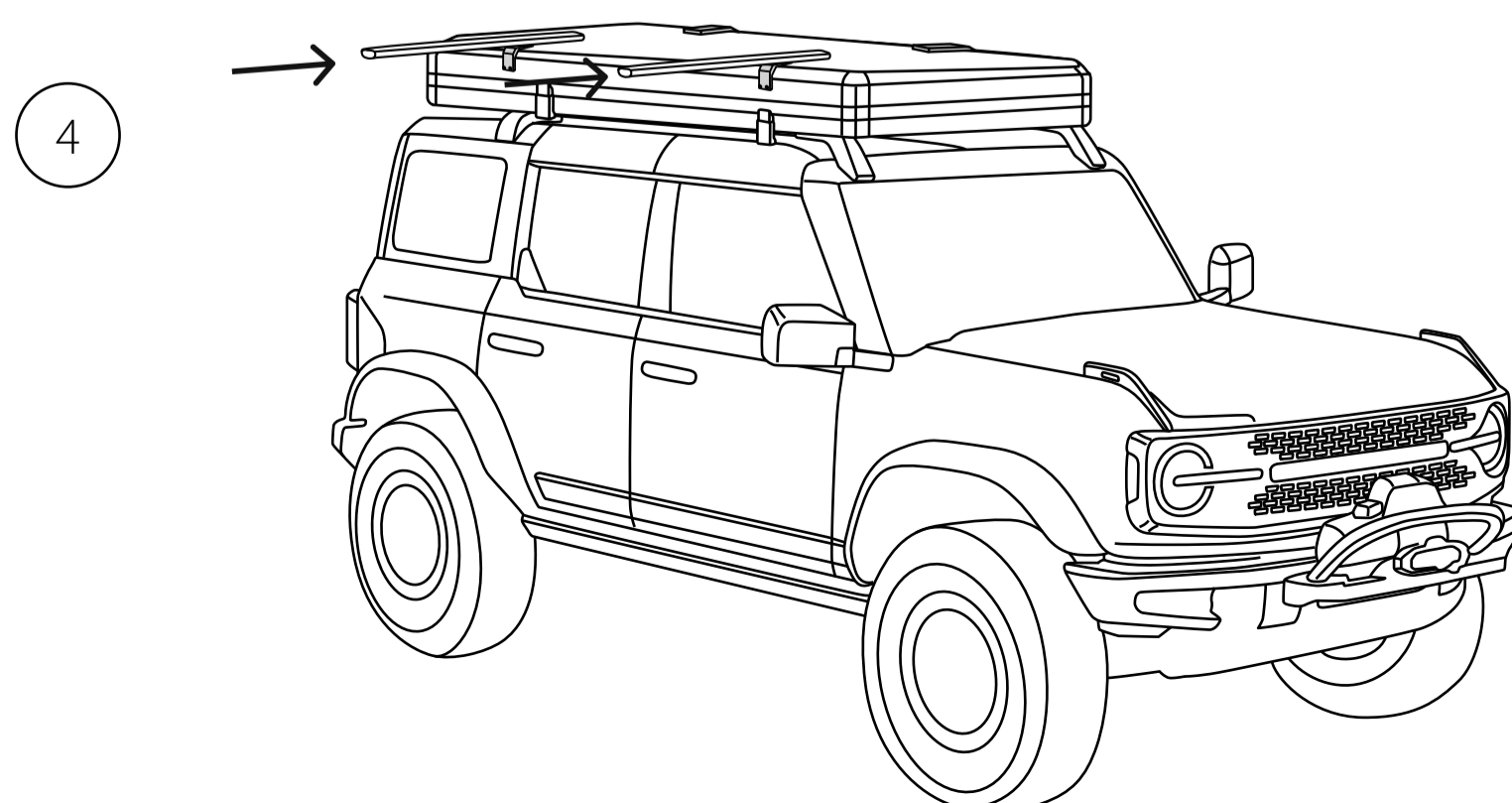
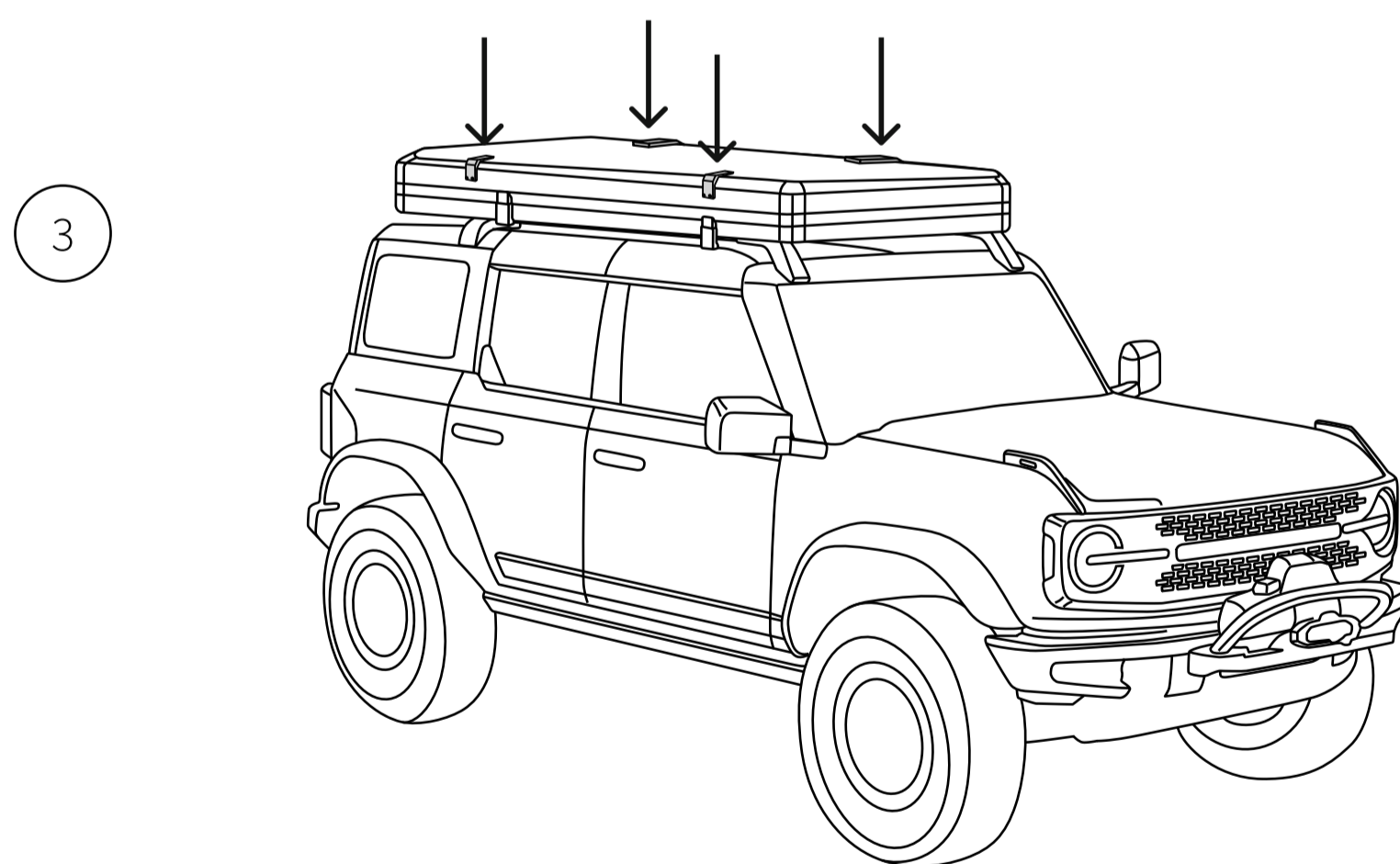
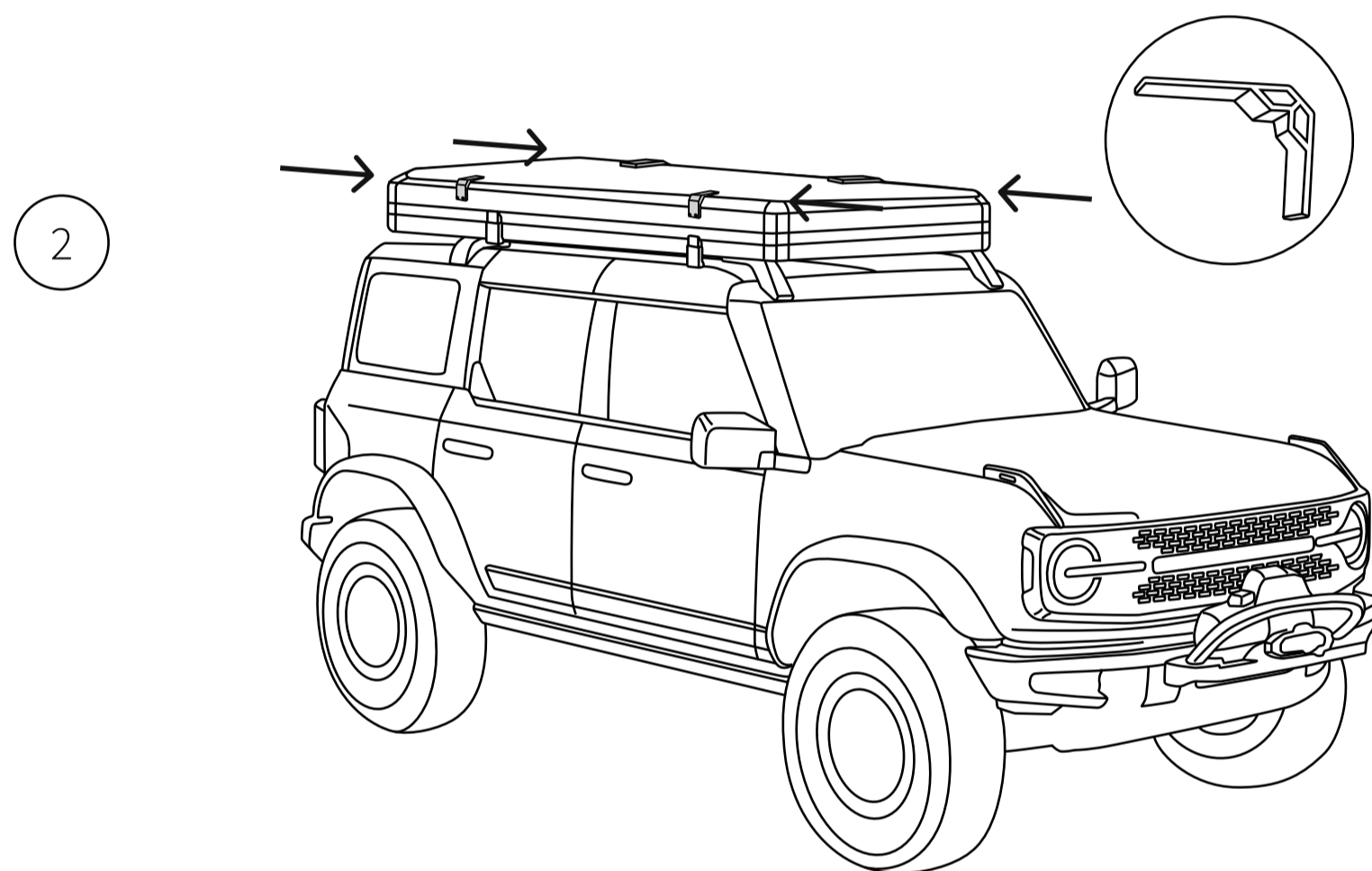
SETTING UP THE INSULATION

1. Attach hooks to the six fabric loops inside the hardshell, starting from the bottom corners and working up.
2. Clip the middle section's hooks onto the round aluminum bar, starting from the center.
3. Secure the last two hooks to the fabric loops on the aluminum extension panel.
4. Tuck in any excess fabric under the mattress to block cold drafts.



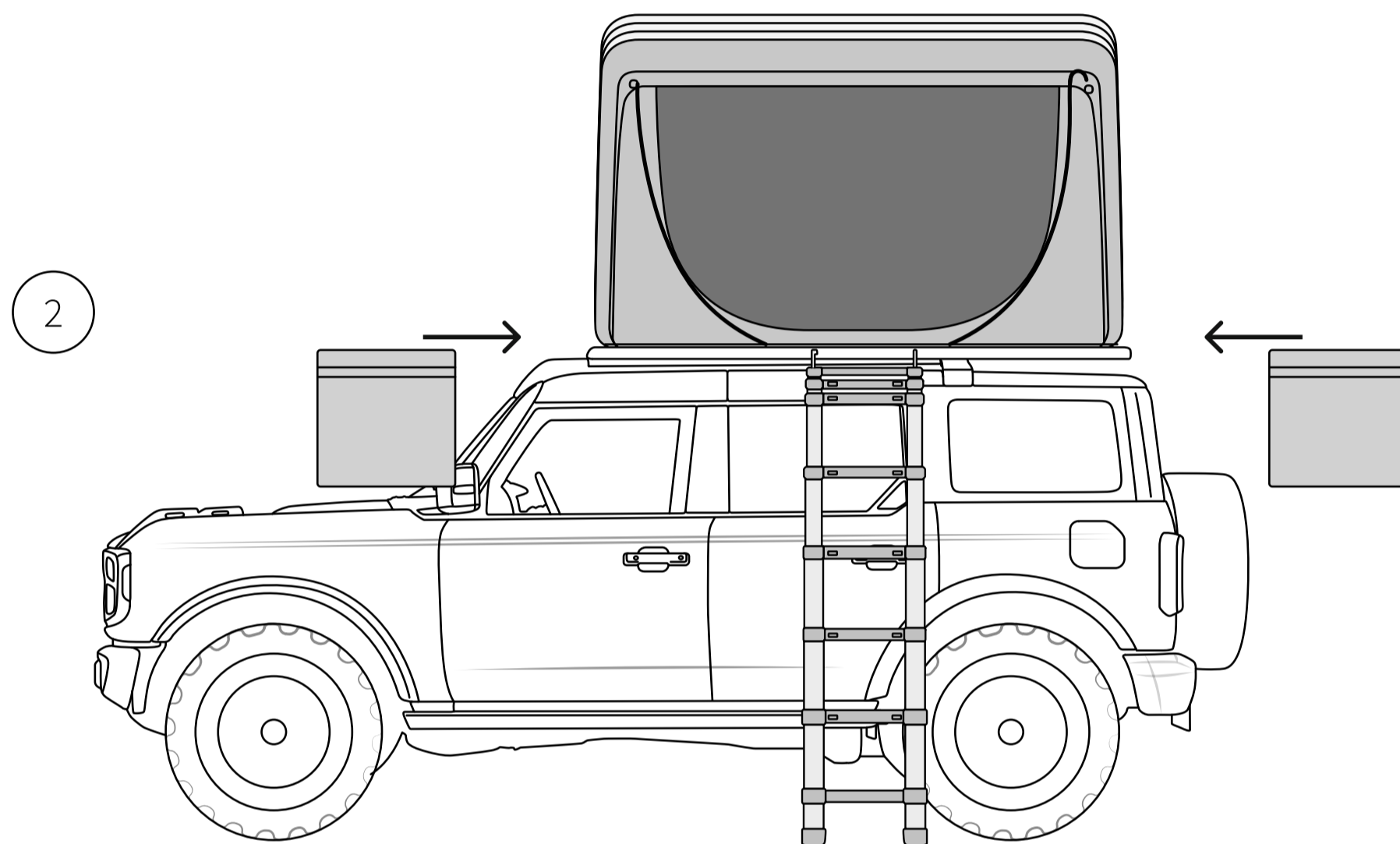
SETTING UP THE CROSSBARS

1. For each of the four brackets, insert two black screws into the designated holes and partially tighten two bolts.
2. Slide the nuts into the Tent T-channels until they reach the desired position.
3. Insert one nut into each top hole of every bracket and begin tightening the bolt.
4. Slide the crossbars to align the nuts with the T-channel before fully securing them.
5. Tighten all the nuts securely to ensure a stable and secure fit.



SETTING UP THE SHOE BAGS

1. Locate the rail on the corner of the extension panel.
2. Insert the top of the shoe bag into the rail.
3. Slide it into place until securely positioned.





EQUINOX
USER MANUAL

**TAKING DOWN
THE TENT**



CHECKLIST BEFORE CLOSING

1. Clear the tent—make sure nothing is left inside.
 - a. If needed, Flatten bedding as much as possible.
 - b. For large items, place them in your car.
2. Ensure the tent is dry before folding to prevent mold and odors.

CLOSING THE HARDSHELL

1. Remove the ladder and store it safely in your car alongside the two ladder hooks.
2. Remove the elastic band from the gutter and position it in the center of the fabric, ensuring it gathers as much material as possible, leaving minimal fabric outside.
3. Close the hardshell by pulling on the strap, while a companion helps tuck the fabric inside.
4. Ensure all tent fabric is properly tucked in at the front, back, and sides before fully closing.
5. Pull down the hardshell and securely fasten the locks.

